

SG2K-S/SG2K5-S/SG3K-S

Residential Single Phase Inverter **Premium**

AU



HIGH YIELD

- Higher yield with Max. efficiency 98.2 %, European efficiency 97.7 %
- 12.5 A MPPT current, and compatible with bifacial modules
- Flexible PV string configurations, DC/AC ratio up to 1.4

SMART MANAGEMENT

- 24H real-time loads monitoring
- Easy local and online monitoring via App or Web

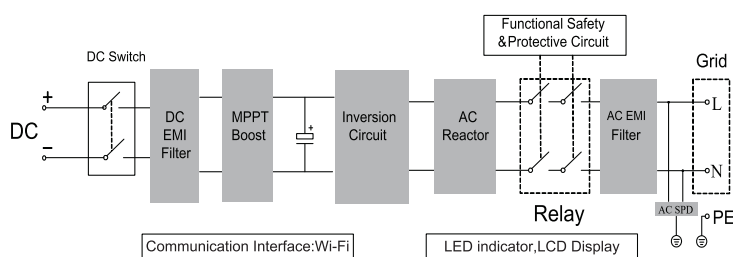
SAFE AND RELIABLE

- Quick Arc Fault Circuit Interrupter
- Built-in Type II DC&AC Surge Protection Device
- Built-in Certified PV Isolator

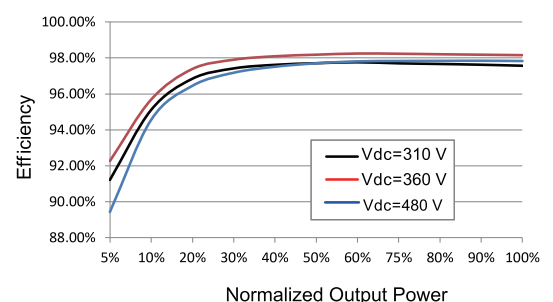
EASY AND USER FRIENDLY

- 8.5 kg compact design, plug and play installation
- Fast commissioning via LCD

CIRCUIT DIAGRAM



EFFICIENCY CURVE (SG3K-S)



Type designation	SG2K-S	SG2K5-S	SG3K-S
Input (DC)			
Recommended max. PV input power	2680 W	3350 W	4000 W
Max. PV input voltage		600 V	
Min. PV input voltage / Startup voltage		90 V / 120 V	
Nominal input voltage		360 V	
MPP voltage range		90 V – 560 V	
MPP voltage range for nominal power	210 V – 480 V	260 V – 480 V	310 V – 480 V
No. of MPPTs		1	
Max. number of PV strings per MPPT		1	
Max. PV input current		12.5 A	
Max. PV short-circuit current		20 A	
Output Side Data			
AC output power	2000 VA	2500 VA	3000 VA
Rated AC output apparent power	2000 VA	2500 VA	3000 VA
Max. AC output current	9.1 A	11.3 A	13.7 A
Nominal AC voltage		230 Vac	
AC voltage range		180 Vac – 276 Vac	
Nominal grid frequency		50 Hz / 60 Hz	
Grid frequency range		45 Hz – 55 Hz / 55 Hz – 65 Hz	
Total harmonic distortion (THD)		< 3 % (of nominal power)	
Power factor		> 0.99 / 0.8 leading – 0.8 lagging	
Feed-in phases / Connection phases		1 / 1	
Efficiency			
Max. efficiency	98.2%	98.2%	98.2%
European efficiency	97.2%	97.5%	97.7%
Protection			
PV reverse connection protection		Yes	
AC short circuit protection		Yes	
Leakage current protection		Yes	
Grid monitoring		Yes	
PV string current monitoring		Yes	
DC switch		Yes	
AFCI		Yes	
Overvoltage protection		DC Type II / AC Type II	
General Data			
Dimensions (W*H*D)		300*370*125 mm	
Weight		8.5 kg	
Isolation method		Transformerless	
Ingress protection rating		IP65	
Power loss in night mode		< 3W	
Operating ambient temperature		-25 °C to 60 °C (>45 °C derating)	
Allowable relative humidity		0 – 100 %	
Cooling method		Natural cooling	
Max. operating altitude		4000 m (> 2000 m derating)	
Display / Communication		LCD / WLAN	
PV connection type		MC4 (max. 6 mm ²)	
AC connection type		Plug and play connector (max. 6 mm ²)	
Certification	IEC62109-1, IEC62109-2, IEC62116, IEC61727, EN 61000-6-2, EN 61000-6-3, AS/NZS 4777.2:2020		
Country of manufacture	China		



SG3K-D/SG5K-D Premium

Residential Single Phase Inverter

AU



HIGH YIELD

- Higher yield with Max. efficiency 98.4 %, European efficiency 98.0 %
- 12.5 A MPPT current, and compatible with bifacial modules
- Flexible PV string configurations, DC/AC ratio up to 1.4

SMART MANAGEMENT

- 24H real-time loads monitoring
- Easy local and online monitoring via App or Web

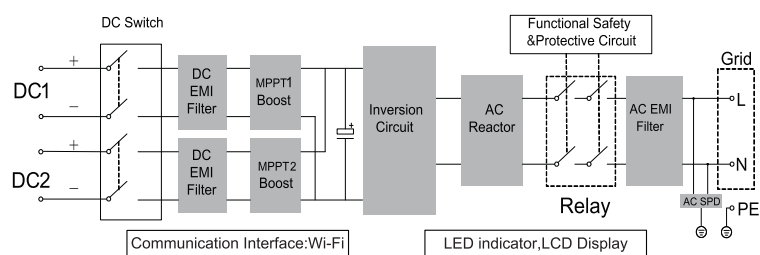
SAFE AND RELIABLE

- Quick Arc Fault Circuit Interrupter
- Built-in Type II DC&AC Surge Protection Device
- Built-in Certified PV Isolator

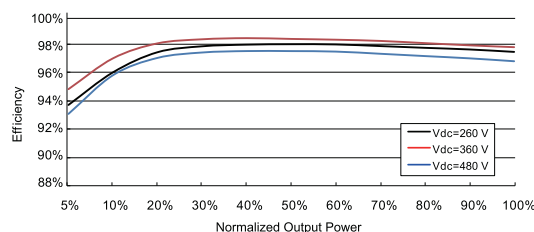
EASY AND USER FRIENDLY

- 11.5 kg compact design, plug and play installation
- Fast commissioning via App

CIRCUIT DIAGRAM



EFFICIENCY CURVE (SG5K-D)



Type designation	SG3K-D	SG5K-D
Input (DC)		
Recommended max. PV input power	4000 W	6700 W
Max. PV input voltage	600 V	
Min. PV input voltage / Startup voltage	90 V / 120 V	
Nominal input voltage	360 V	
MPP voltage range	90 V – 560 V	
MPP voltage range for nominal power	160 V – 480 V	260 V – 480 V
No. of MPPTs	2	
Max. number of PV strings per MPPT	1	
Max. PV input current	25 A (12.5 A / 12.5 A)	
Max. PV short-circuit current	40 A (20 A / 20 A)	
Output Side Data		
AC output power	3000 VA	4999 VA
Rated AC output apparent power	3000 VA	4999 VA
Max. AC output current	13.7 A	21.7 A
Nominal AC voltage	230 Vac	
AC voltage range	180 Vac – 276 Vac	
Nominal grid frequency	50 Hz / 60 Hz	
Grid frequency range	45 Hz – 55 Hz / 55 Hz – 65 Hz	
Total harmonic distortion (THD)	< 3 % (of nominal power)	
Power factor	> 0.99 / 0.8 leading – 0.8 lagging	
Feed-in phases / Connection phases	1 / 1	
Efficiency		
Max. efficiency	98.4 %	
European efficiency	97.7 %	98.0 %
Protection		
PV reverse connection protection	Yes	
AC short circuit protection	Yes	
Leakage current protection	Yes	
Grid monitoring	Yes	
PV string current monitoring	Yes	
DC switch	Yes	
AFCI	Yes	
Overvoltage protection	DC Type II / AC Type II	
General Data		
Dimensions (W*H*D)	360*390*133 mm	
Weight	11.5 kg	
Isolation method	Transformerless	
Ingress protection rating	IP65	
Power loss in night mode	< 3W	
Operating ambient temperature	-25 °C to 60 °C (>45 °C derating)	
Allowable relative humidity	0 – 100 %	
Cooling method	Natural cooling	
Max. operating altitude	4000 m (> 2000 m derating)	
Display / Communication	LCD / WLAN	
PV connection type	MC4 (max. 6 mm ²)	
AC connection type	Plug and play connector (max. 6 mm ²)	
Certification	IEC62109-1, IEC62109-2, IEC62116, IEC61727, EN 61000-6-2, EN 61000-6-3, AS/NZS 4777.2:2020	
Country of manufacture	China	



SG8K-D Premium

Residential Single Phase Inverter

AU



HIGH YIELD

- Higher yield with Max. efficiency 98.5 %, European efficiency 98.0 %
- 12.5 A MPPT current, and compatible with bifacial modules
- Flexible PV string configurations, DC/AC ratio up to 1.4

SMART MANAGEMENT

- 24H real-time loads monitoring
- Easy local and online monitoring via App or Web

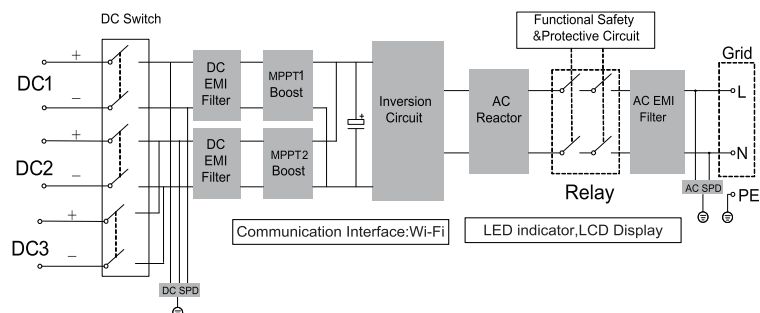
SAFE AND RELIABLE

- Quick Arc Fault Circuit Interrupter
- Built-in Type II DC&AC Surge Protection Device
- Built-in Certified PV Isolator

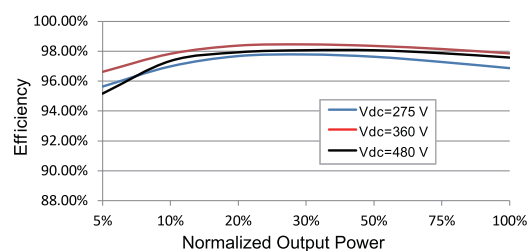
EASY AND USER FRIENDLY

- 15.5 kg compact design, plug and play installation
- Fast commissioning via App

CIRCUIT DIAGRAM



EFFICIENCY CURVE



Type designation	SG8K-D
Input (DC)	
Recommended max. PV input power	10700 W
Max. PV input voltage	600 V
Min. PV input voltage / Startup voltage	90 V / 120 V
Nominal input voltage	360 V
MPP voltage range	90 V – 540 V
MPP voltage range for nominal power	275 V – 480 V
No. of MPPTs	2
Max. number of PV strings per MPPT	1 / 2
Max. PV input current	12.5 A / 25 A
Max. PV short-circuit current	16 A / 32 A
Output Side Data	
AC output power	8000 VA
Rated AC output apparent power	8000 VA
Max. AC output current	34.8 A
Nominal AC voltage	230 Vac
AC voltage range	180 Vac – 276 Vac
Nominal grid frequency	50 Hz / 60 Hz
Grid frequency range	45 Hz – 55 Hz / 55 Hz – 65 Hz
Total harmonic distortion (THD)	< 3 % (of nominal power)
Power factor	> 0.99 / 0.8 leading – 0.8 lagging
Feed-in phases / Connection phases	1 / 1
Efficiency	
Max. efficiency	98.5%
Max. European efficiency	98.0%
Protection	
PV reverse connection protection	Yes
AC short circuit protection	Yes
Leakage current protection	Yes
Grid monitoring	Yes
PV string current monitoring	Yes
DC switch	Yes
AFCI	Yes
Overvoltage protection	DC Type II/AC Type II
General Data	
Dimensions (W*H*D)	360*390*148 mm
Weight	15.5 kg
Isolation method	Transformerless
Ingress protection rating	IP65
Power loss in night mode	< 3W
Operating ambient temperature	-25 °C to 60 °C (>45 °C derating)
Allowable relative humidity	0 – 100 %
Cooling method	Natural cooling
Max. operating altitude	4000 m (> 2000 m derating)
Display / Communication	LCD / WLAN
PV connection type	MC4 (max. 6 mm ²)
AC connection type	Plug and play connector (max. 6 mm ²)
Certification	IEC62109-1, IEC62109-2, EN 61000-6-2, EN 61000-6-3, AS/NZS 4777.2:2020
Country of manufacture	China

