



COMMERCIAL PV/ESS PLANT

SYSTEM SOLUTIONS



ABOUT SUNGROW





Sungrow Power Supply Co., Ltd (“Sungrow”) is the world’s most bankable inverter brand with over 87 GW installed worldwide as of June 2019. Founded in 1997 by University Professor Cao Renxian, Sungrow is a leader in the research and development of solar inverters with the largest dedicated R&D team in the industry and a broad product portfolio offering PV inverter solutions and energy storage systems for utility-scale, commercial, and residential applications, as well as internationally recognized floating PV plant solutions. With a strong 22-year track record in the PV space, Sungrow products power installations in over 60 countries, maintaining a worldwide market share of over 15%.

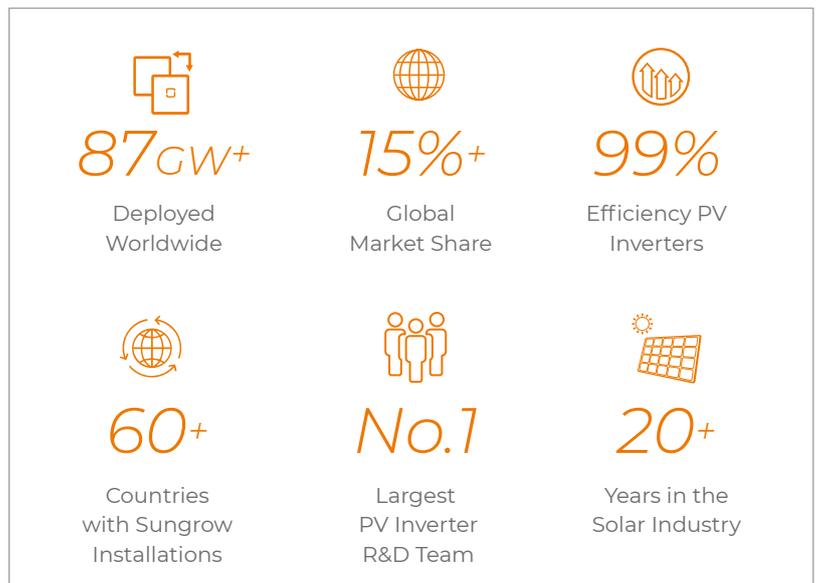
As a leader of innovation in the solar industry, Sungrow possesses a dynamic R&D team which consists of over 1000 employees. The Company has also invested its own in-house testing center approved by UL, CSA, TÜV Rheinland, and TÜV SÜD. In 2019, Sungrow launched the world’s largest inverter factory, once fully operational, the global annual production capacity will reach 50 GW, including 3 GW of India factory.

Offering a wide range of solutions and services, Sungrow is committed to providing clean power for all and is steadfast in its efforts to becoming the global leader of clean power conversion technology. Learn more about Sungrow by visiting www.sungrowpower.com.

The World's Most Bankable Inverter Brand

No.1 supplier in financed projects • 100% bankable

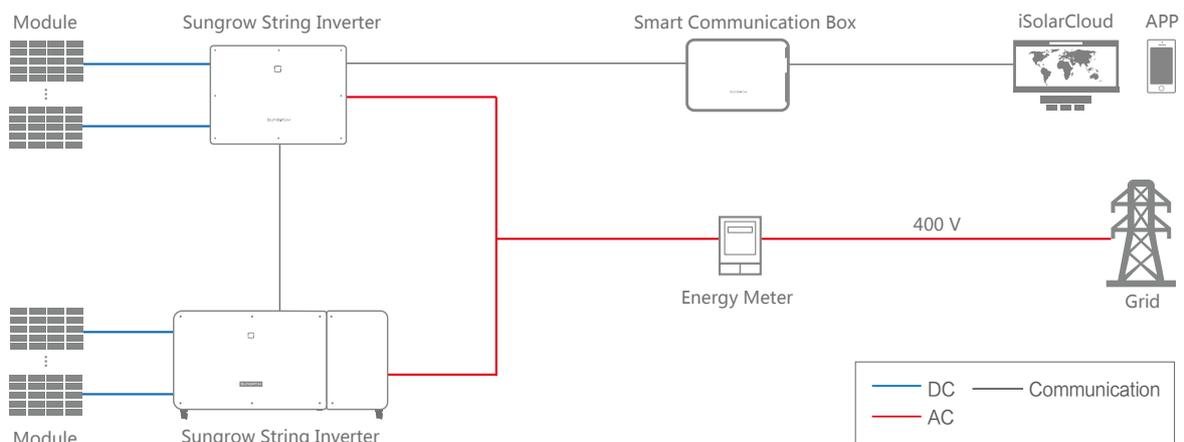
Source: BloombergNEF



C&I PV Plant System Solution



C&I PV Plant System Solution



Recommend Products



SG110CX



SG30/50CX



SG15/20KTL-M



COM100

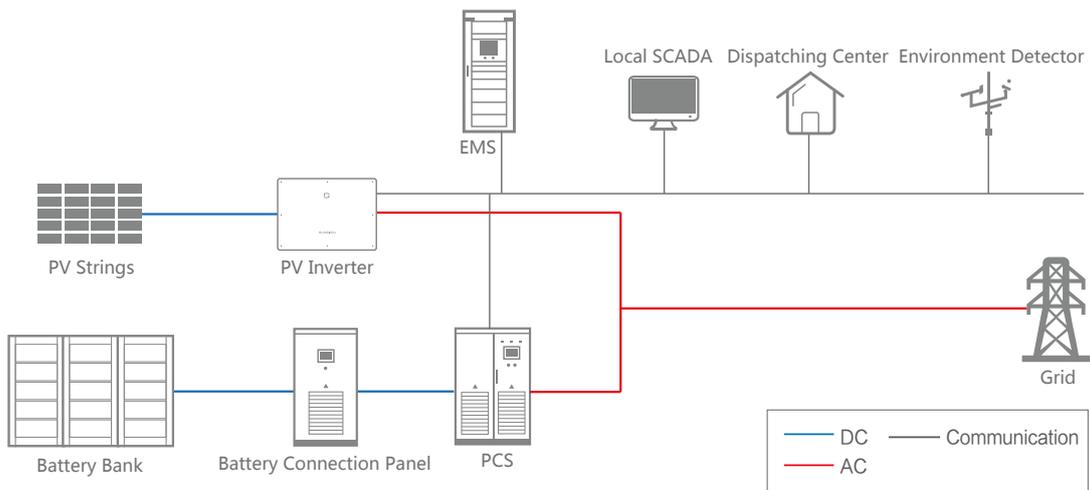


logger1000

C&I Hybrid (PV+ESS) Solution



C&I Hybrid (PV+ESS) Solution



Recommend Products



ST548KWH-250



ST343KWH-100



SG110CX



SG30/50CX

Global Reference Over 21.7 GW of String Inverters Installed Globally



18MW PV Plant in Dubai 



5 MW PV Plant Great Seabrook UK 

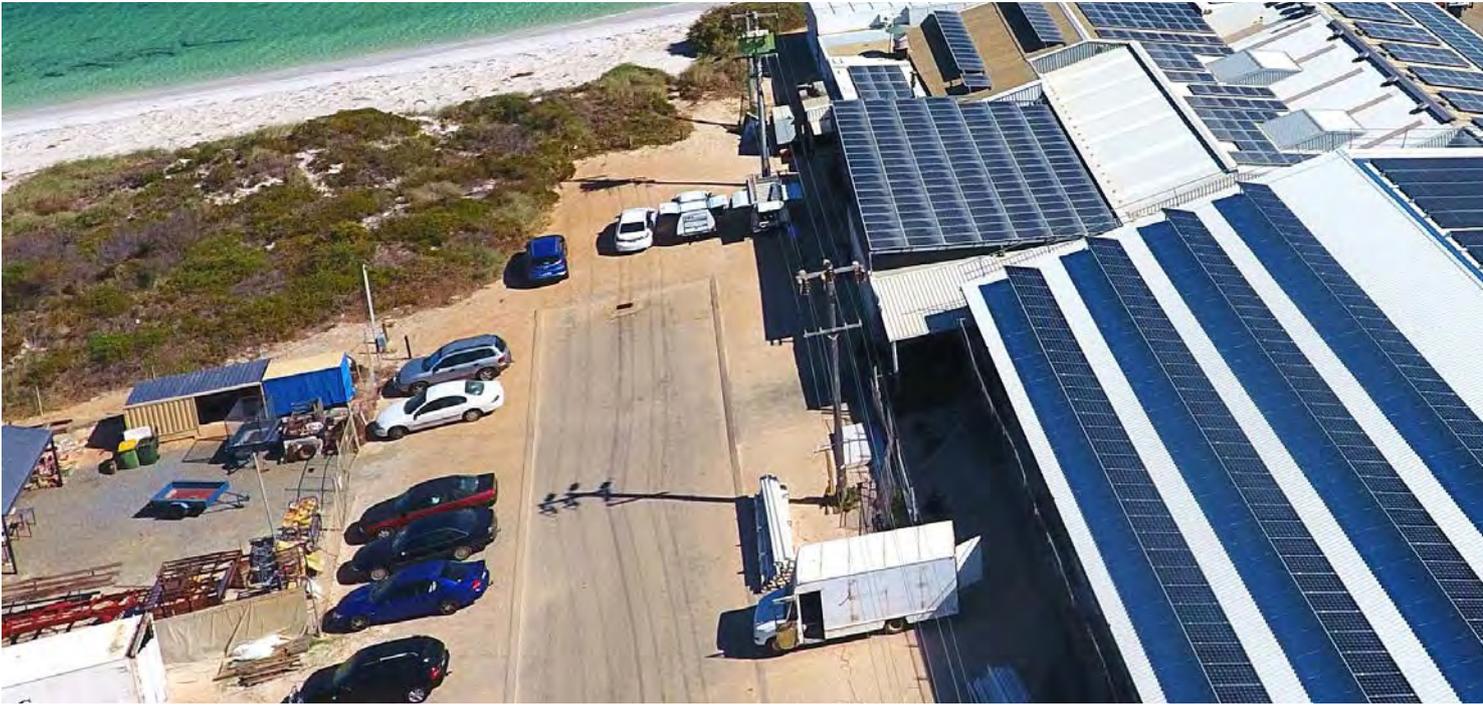


2.25 MW PV Plant USA 



6.5 MW PV Plant Spain 

Global Reference



500kW / 755kWh Micro-grid project, WA, Australia 



100kW / 411kWh Peak-shaving & Ramp rate control, Bundaberg, QLD, Australia 



250kW / 548kWh C&I, grid connected,  Adelaide, SA, Australia



68kW / 137kWh Peak-shaving, Ramp rate control & Backup,  Birchip, VIC, Australia

SUNGROW
Clean power for all



McNAE GROUP
ENERGY AND SOLAR

McNae Energy and Solar Ltd

MAIL PO Box 9086, Palmerston North 4441

OFFICE 4 Roxburgh Crescent, Hokowhitu,
Palmerston North 4410 **T** 06 3570405

W mcnae.co.nz **E** info@mcnae.co.nz

Sungrow Australia Group Pty.Ltd.

Add: Suite 1703, 99 Mount Street, North Sydney, NSW 2060. Australia

Tel: (toll free): 1800 SUNGROW (786 476); (Overseas): +612 9922 1522

Tel: 1800 SUNGROW (786 476) (Local Toll-free)

+61 2 9922 1522 (Overseas)

Email: service@sungrowpower.com.au

Website: www.sungrowpower.com



© 2019 Sungrow Power Supply Co., Ltd. All rights reserved.
Subject to change without notice. Version 1.1

